

SPEC SHEET
LC402/LC412

Interchangeable with
Model TH-LP1B

HIGH ACCURACY LOW PROFILE LOAD CELL for Industrial Weighing Applications

LC402/LC412 Series
Tension/Compression

±50 lb to ±750 klb
±200 N to ±3.3 MN

LC402 = Cable Style
LC412 = Connector Style

1 Newton = 0.2248 lb
1 daNewton = 10 Newtons
1 lb = 454 g
1 t = 1000 kg = 2204 lb

\$730

Ranges up to 5000 lb.

- ✓ All Stainless Steel for Harsh Industrial Applications
- ✓ 0.25% Interchangeable for Multiple Load Cell Applications
- ✓ 5-Point Calibration Provided
- ✓ Easy to Use Twist Lock Connection
- ✓ FM/CSA Intrinsically Safe Standard

SPECIFICATIONS:

Output: 3 mV/V ±0.25%

Excitation: 10 Vdc (15 Vdc max)

Accuracy Class: 0.1% FSO
Calibrated at 0%, 50%, 100%, 50%, 0%
in compression. Units ordered with optional
tension plate calibrated in tension

Linearity: 0.10% FSO

Hysteresis: 0.10% FSO

Repeatability: 0.05% FSO

For Sales and Service
In U.S.A. and Canada

1-800-872-3963SM
1-800-USA-DYNE

International Customers Dial
(614) 965-9340
24-Hour FAX (614) 965-9438

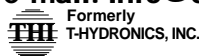
OMEGADYNESM FAX

OMEGADYNE's 24-Hour
On-Line Publishing Service

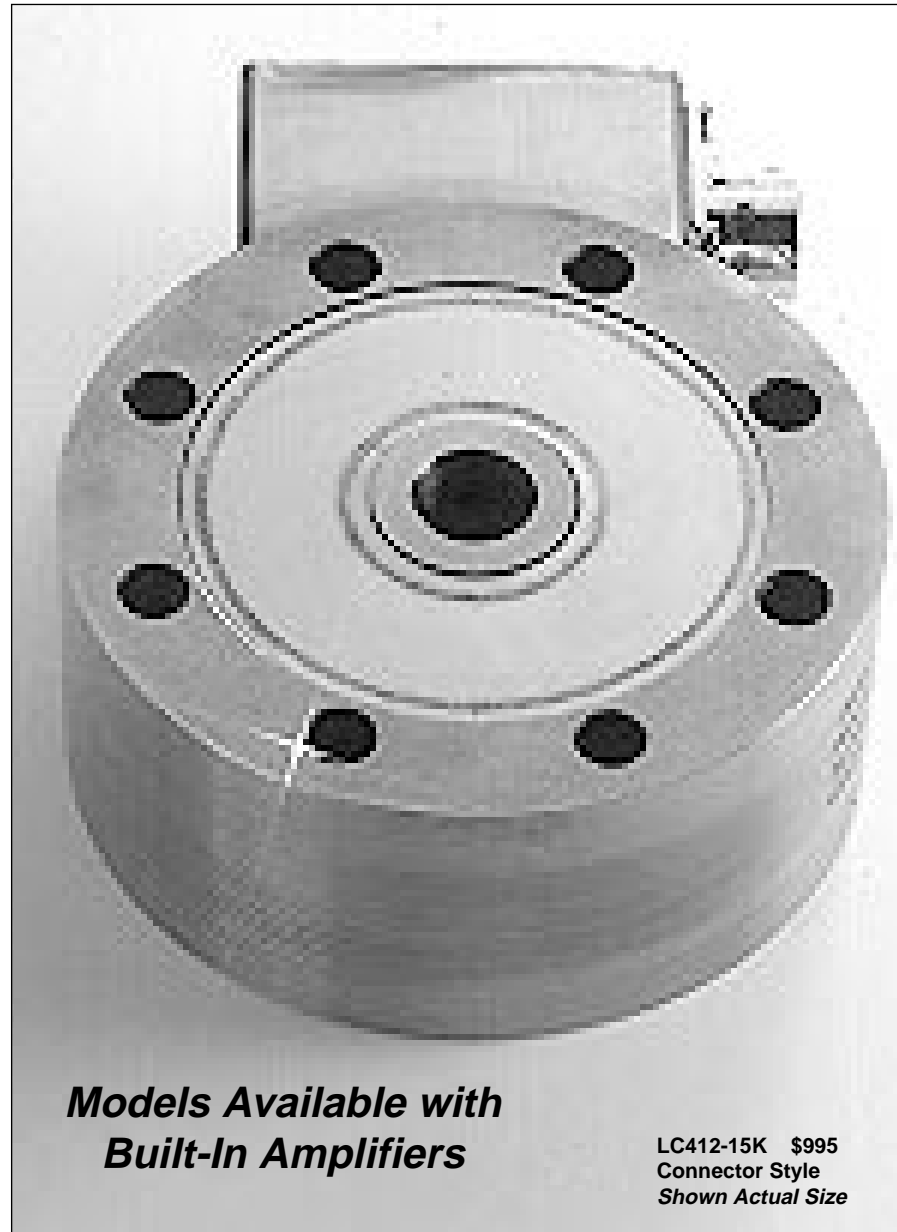
1-800-344-3963SM
1-800-DIG-DYNE

Document # 3613

OMEGADYNE, Inc.
149 Stelzer Court, Sunbury, OH 43074
<http://www.omegadyne.com>
e-mail: info@omegadyne.com



© COPYRIGHT 1996 OMEGADYNE, INC. ALL RIGHTS RESERVED.



**Models Available with
Built-In Amplifiers**

LC412-15K \$995
Connector Style
Shown Actual Size

Zero Balance: ±1% FSO

Agency Approval: FM/CSA Intrinsically
Safe IS/I.II.III/1/CDEFG

Operating Temp. Range:
-54 to 127°C (-65 to 260°F)

Compensated Temp. Range:
16 to 71°C (60 to 160°F)

Thermal Effects: Zero: 0.0025%
FSO/°F, Span: 0.0025% Rdg/°F

Safe Overload: 150% of Capacity

Ultimate Overload: 300% of Capacity
for ranges ≤400,000lb,
200% of Capacity for ranges >400,000 lb

Bridge Resistance: 350 ohms

FS Deflection: .001 to .003 in. typical
Construction: 17-4 PH Stainless Steel

Electrical Connection:

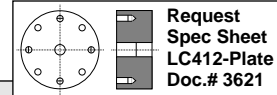
LC402: 15ft (4.8m) 4-conductor
shielded PVC cable

LC412: DT02H-10-6P connector.

Mating Connector: PT06F-10-6S
(not included) Printed On Recycled Paper



Tension Plates



► Most Popular Models Highlighted ◀

Prices Shown in U.S. Dollars

To Order: (Specify Model Number)					Tension Base Plate	
Capacity (lb)	Cable Style Model No.	Connector Model No.	Price	Compatible Meters	Model Number	Price
±50	LC402-50	LC412-50	\$730	INFW, INFS, INFCS	LC412-TP225	\$110
±100	LC402-100	LC412-100	730	INFW, INFS, INFCS	LC412-TP225	110
±250	LC402-250	LC412-250	730	INFW, INFS, INFCS	LC412-TP225	110
±500	LC402-500	LC412-500	730	INFW, INFS, INFCS	LC412-TP288	110
±1000	LC402-1K	LC412-1K	730	INFW, INFS, INFCS	LC412-TP288	110
±2000	LC402-2K	LC412-2K	730	INFW, INFS, INFCS	LC412-TP288	110
±3000	LC402-3K	LC412-3K	730	INFW, INFS, INFCS	LC412-TP288	110
±5000	LC402-5K	LC412-5K	730	INFW, INFS, INFCS	LC412-TP325	110
±10,000	LC402-10K	LC412-10K	925	INFW, INFS, INFCS	LC412-TP325	110
±15,000	LC402-15K	LC412-15K	995	INFW, INFS, INFCS*	LC412-TP350	250
±20,000	LC402-20K	LC412-20K	995	INFW, INFS, INFCS*	LC412-TP350	250
±25,000	LC402-25K	LC412-25K	995	INFW, INFS, INFCS*	LC412-TP350	250
±50,000	LC402-50K	LC412-50K	1375	INFW, INFS, INFCS*	LC412-TP563	425
±75,000	LC402-75K	LC412-75K	1580	INFW, INFS, INFCS*	LC412-TP675	585
±100,000	LC402-100K	LC412-100K	2800	INFW, INFS, INFCS*	LC412-TP800	760
±200,000	LC402-200K	LC412-200K	3600	INFW, INFS, INFCS*	LC412-TP925	2200
±300,000	LC402-300K	LC412-300K	6200	INFW, INFS, INFCS*	LC412-TP925-3	2200
±400,000	LC402-400K	LC412-400K	7200	INFW, INFS, INFCS*	LC412-TP925-3	2200
±500,000	LC402-500K	LC412-500K	9000	INFW, INFS, INFCS*	LC412-TP1025	2200
±750,000	LC402-750K	LC412-750K	11,000	INFW, INFS, INFCS*	LC412-TP1100	3200

*4 Digit Meter Interchangeable with Model TH-LP1B Metric Ranges Available – Consult Engineering.

To order Dual Bridge Models add suffix “-DUAL” to the model number; Price: ≤5000 lb add \$250; >5000 lb add \$350

Note: Models >300,000 lb are calibrated at 300,000 lb. Full scale calibration above 300,000lb within ±1% available.

Add Suffix “-FS” to the model number and \$1,500 to price.

Ordering Examples: 1) LC412-10K-DUAL is a dual bridge 10,000lb capacity connector style load cell, \$925 + 350 = \$1275;

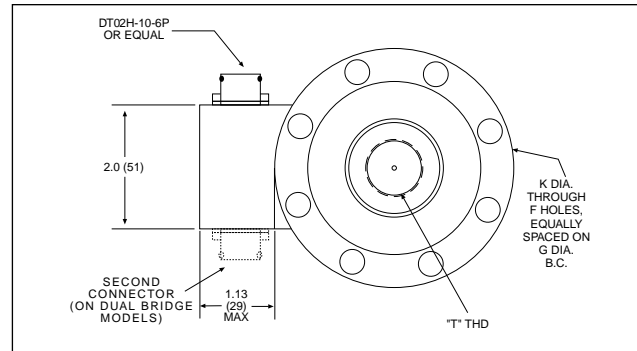
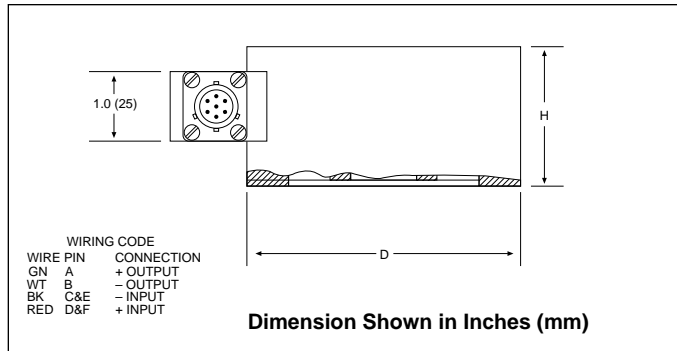
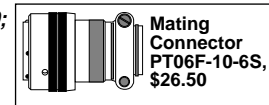
Mating connector, two required, (not included) PT06F-10-6S, \$26.50 ea. Optional Tension Plate LC412-TP325, \$110.

2) LC402-1K is a 1,000 lb capacity cable style load cell, \$730. Optional Tension Plate LC412-TP288, \$110.

3) LC412-400K-FS is a 400,000 lb capacity connector style load cell calibrated at 400,000 lb, \$7200 + \$1500 = \$8700;

Mating connector (not included) PT06F-10-6S, \$26.50 ea. Optional Tension Plate LC412-TP925-3, \$2200.

Custom Units Available with Built-in Amplifier.



Capacity (lb)	D	H	F	G	K	T	Weight lb (kg)
50-300	3.00 (75)	1.50 (38)	8	2.25 (57)	.266 (6.7)	¾-24	2.5 (1.1)
500-3000	3.50 (89)	1.50 (38)	8	2.875 (73)	.266 (6.7)	½-20	3 (1.4)
5000-10000	3.75 (95)	1.50 (38)	8	3.25 (83)	.266 (6.7)	¾-16	5 (2.3)
15K-25K	4.00 (102)	2.00 (51)	8	3.50 (89)	.406 (10.3)	1-14	7.5 (3.4)
30K-50K	7.00 (178)	3.00 (76)	8	5.625 (143)	.531 (13.5)	1½-12	33 (15)
75K	8.00 (203)	3.50 (89)	8	6.750 (171)	.656 (16.7)	1¾-12	50 (23)
100K	9.50 (241)	4.00 (102)	12	8.00 (203)	.781 (19.8)	2-12	81 (37)
150K-200K	11.0 (279)	4.00 (102)	12	9.25 (235)	1.030 (26)	2½-12	102 (46)
300K-400K	11.0 (279)	4.00 (102)	12	9.25 (235)	1.030 (26)	3-12	102 (46)
440K-500K	12.0 (305)	4.00 (102)	12	10.25 (280)	1.156 (29)	3½-8	115 (52)
600-750K	13.0 (330)	4.50 (114)	12	11.00 (279)	1.281 (33)	4-8	135 (61)